

SONY

Hi-Fi Products
Service Bulletin

Sony Service Company - Technical Services
A Division of Sony Corporation of America
Sony Drive, Park Ridge, New Jersey 07656

Model: D-2/4,DT-2/4

No. 110

Subject: Repositioning of Rack Assembly

Date: February 16, 1990

Symptom:
(62)

The unit skips during play or there is excessive mechanical noise.

Solution: Readjust the Rack Assembly using the Rack Assembly Positioning Jig. The procedure is as follows:

Adjustment Procedure:

1. Position the Rack Assembly so that the distance between A and B becomes equal (as shown below) by rotating the sled gear.
(A=B=6mm)
2. Loosen the Rack Assembly mounting screws.
3. Place the positioning jig on the mechanism as shown below. The shaft fits in the "U" gutter of the jig.

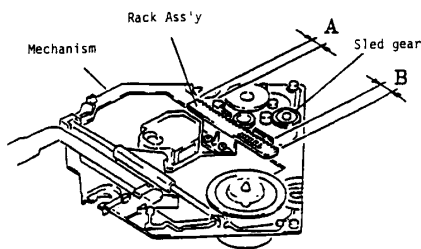


Fig. 1.

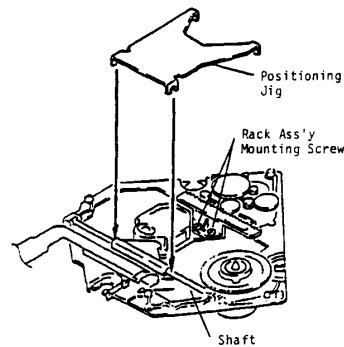


Fig. 2.

(Continued)

Reference: Fax A900015

PRINTED IN U.S.A.
CSA-13290-1

CSA-13 Portable Compact Disc

4. While pressing the Rack Assembly in the direction of the arrow in order to keep the teeth of the rack gear in contact with the jig, tighten the screws.

Note: Tighten each screw alternately and little by little.

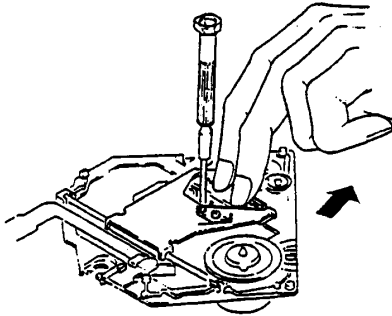


Fig. 3.

5. Confirm the clearance between the teeth of the rack gear and the jig as shown below. Remove the Rack Assembly side of jig first when removing the jig. (Be sure not to remove it from the shaft side first.)

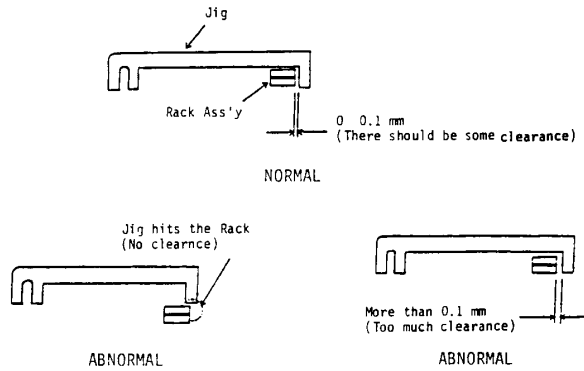


Fig. 4.

Description	Part Number
Rack Assembly Positioning Jig	4-931-565-01